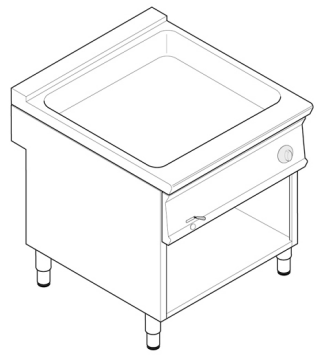


# TECNO90

316051

BM8FE9

FREESTANDING 8 X GN1/3 ELECTRIC BAIN-MARIE



## TECHNICAL SPECIFICATIONS

- \* Made of stainless steel
- \* 2-mm-thick top
- \* Equipped with adjustable feet. It can be positioned by the wall or combined with other appliances as a central island.
- \* The base unit can be equipped with drawers, doors or runners for GN containers
- \* External heating elements

- \* The tanks are pressed with rounded edges in order to hold GN 150mm high containers, and are equipped with water level notches
- \* Water drain in the rear of the appliance controlled by a tap with ball valve on the panel
- \* Safety device for preventing accidental opening of the drain valve
- \* Protection against overheating

## TECHNICAL SHEET

Power	kW	4,5
Frequency	Hz	50-60
Voltage	V	400 3N ~
Tank Capacity		8xGN1/3
Tank capacity	n°x GN	8xGN1/3
Cabinet inner Dimensions (WxDxH)	cm	77x76,1x39,5
Tank Dimensions	cm	63x68,6x16
Temperature Range	°C	30÷90
Tank Type		AISI 304
Width	cm	80
Depth	cm	90
Height	cm	90
Packaging Width	cm	86,0
Packaging Depth	cm	100,0
Packaging Height	cm	116,0
Net Weight	kg	59,0000
Gross Weight	kg	74,0000
Volume	m³	0,9900



Information shown is provided only as a guide. The company reserves the right to modify these data without notifying anytime. La validità dei dati riportati è indicativa. L'Azienda si riserva il diritto di apportare, in qualsiasi momento, variazioni anche senza preavviso.

TECNOINOX SRL | VIA TORRICELLI, 1 | 33080 PORCIA (PN) ITALY | T +39 0434 920110 | F +39 0434 920422 | TECNOINOX@TECNOINOX.IT | WWW.TECNOINOX.IT